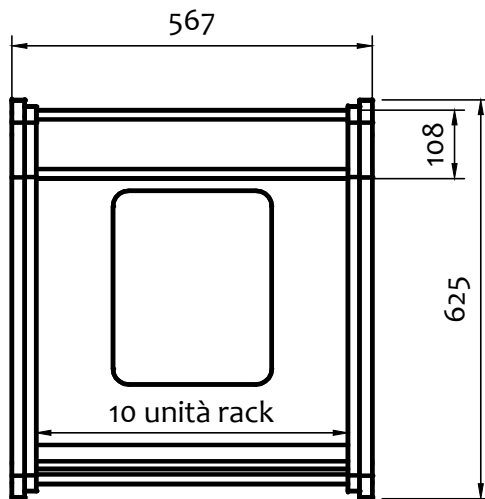
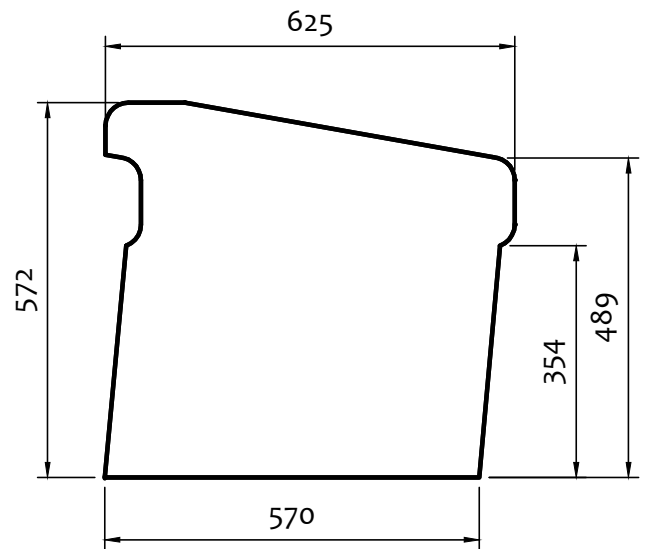


Technical Plan (in mm)

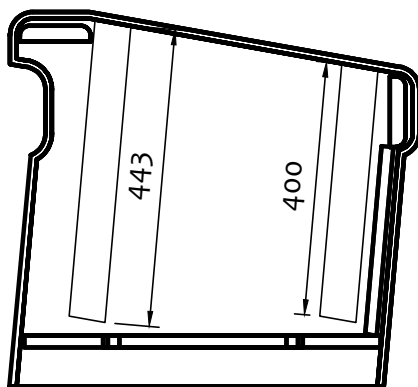
TOP VIEW



SIDE VIEW



SIDE VIEW



DIAGONAL VIEW

