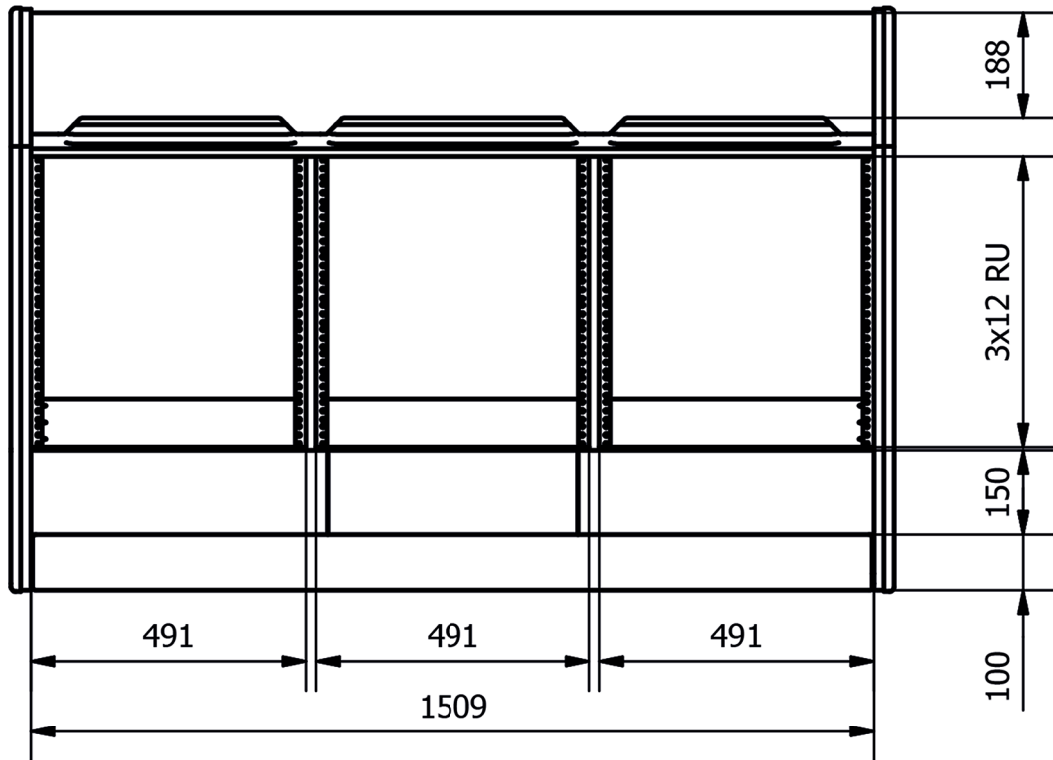
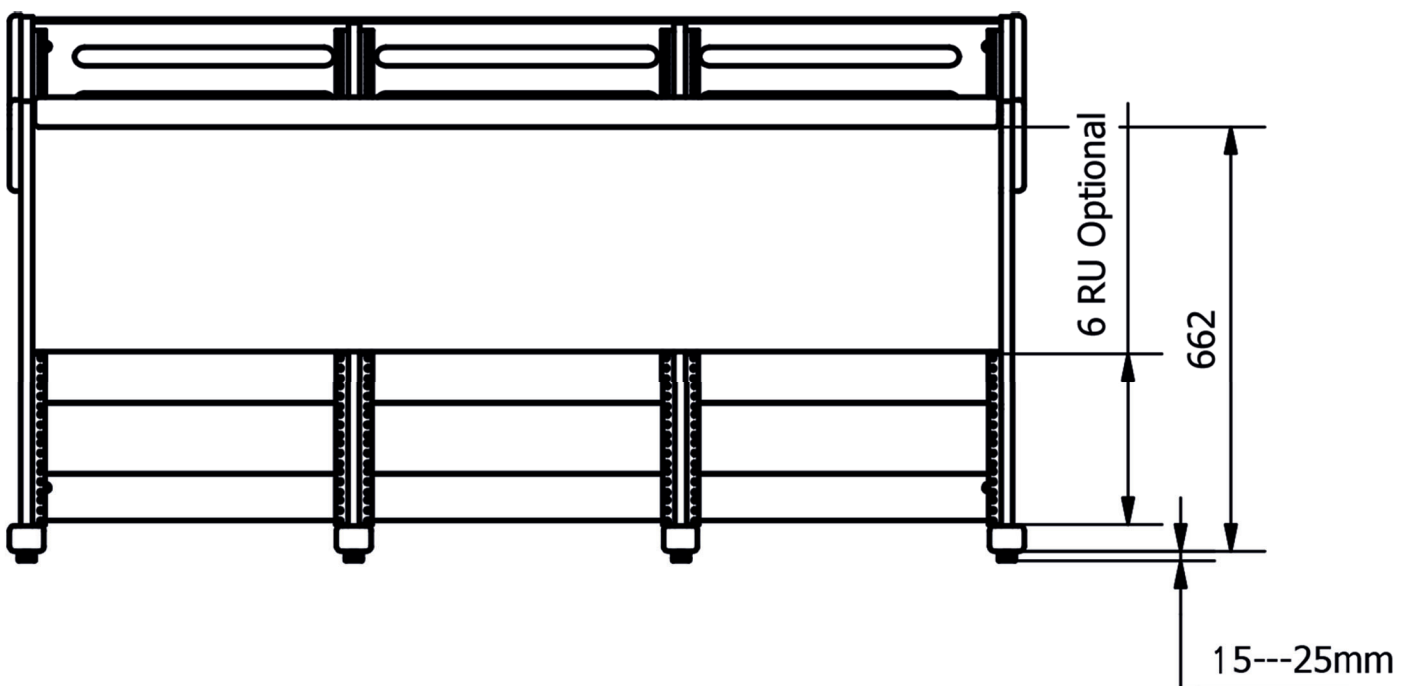


## Technical Plan (in mm)

TOP VIEW



FRONT VIEW



## Technical Plan (in mm)

SIDE VIEW

