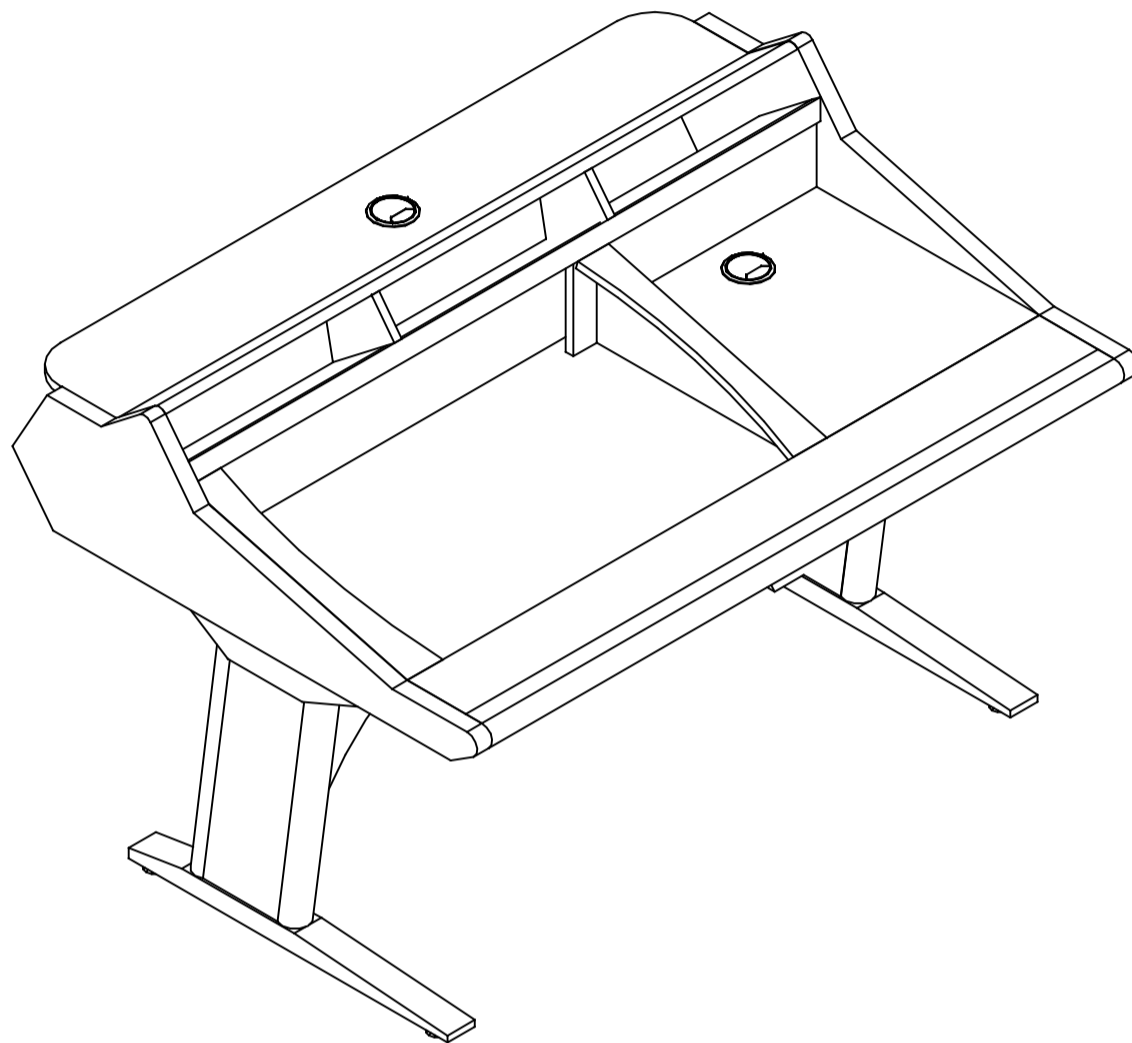
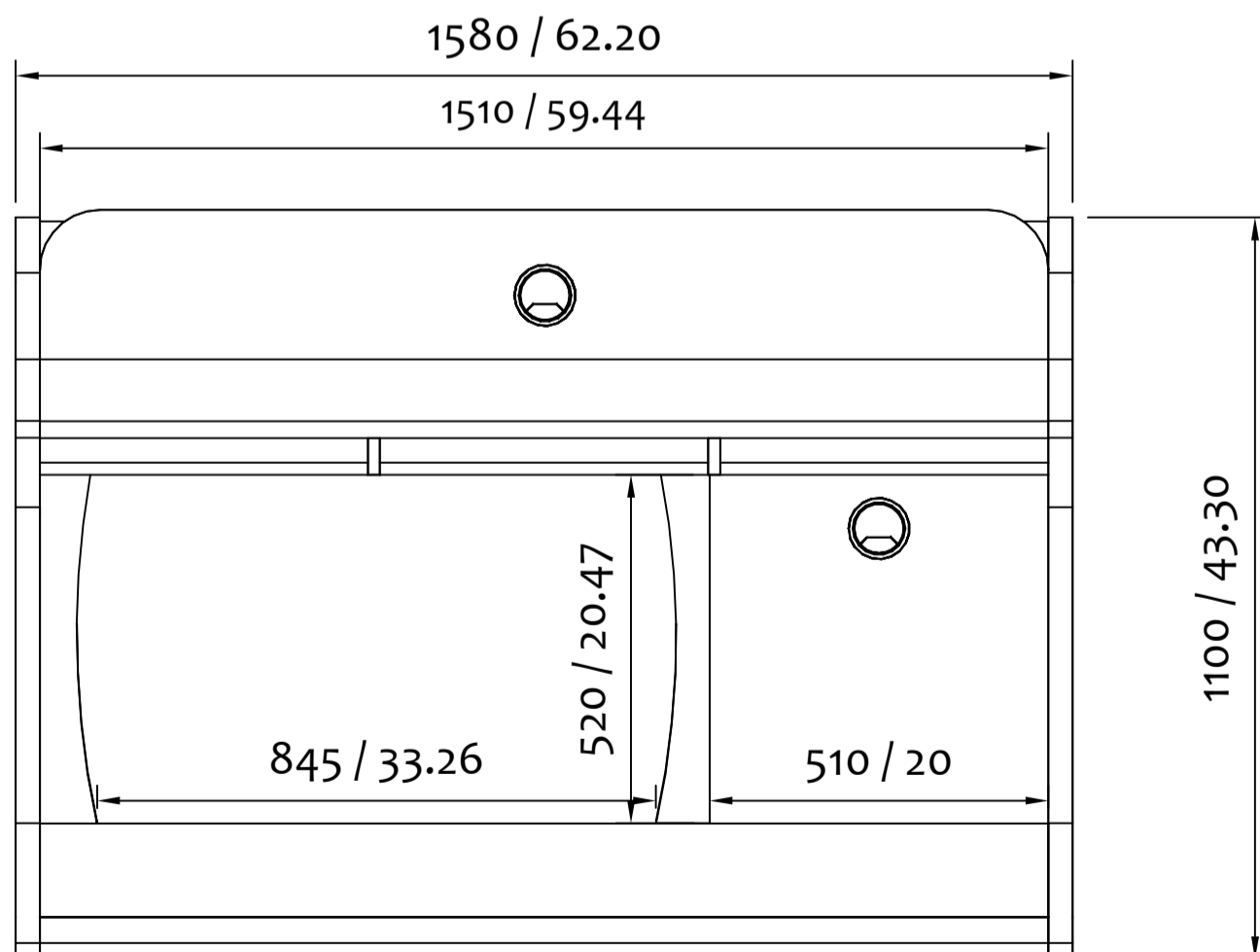


Technical Plan (in mm/inch)

DIAGONAL VIEW

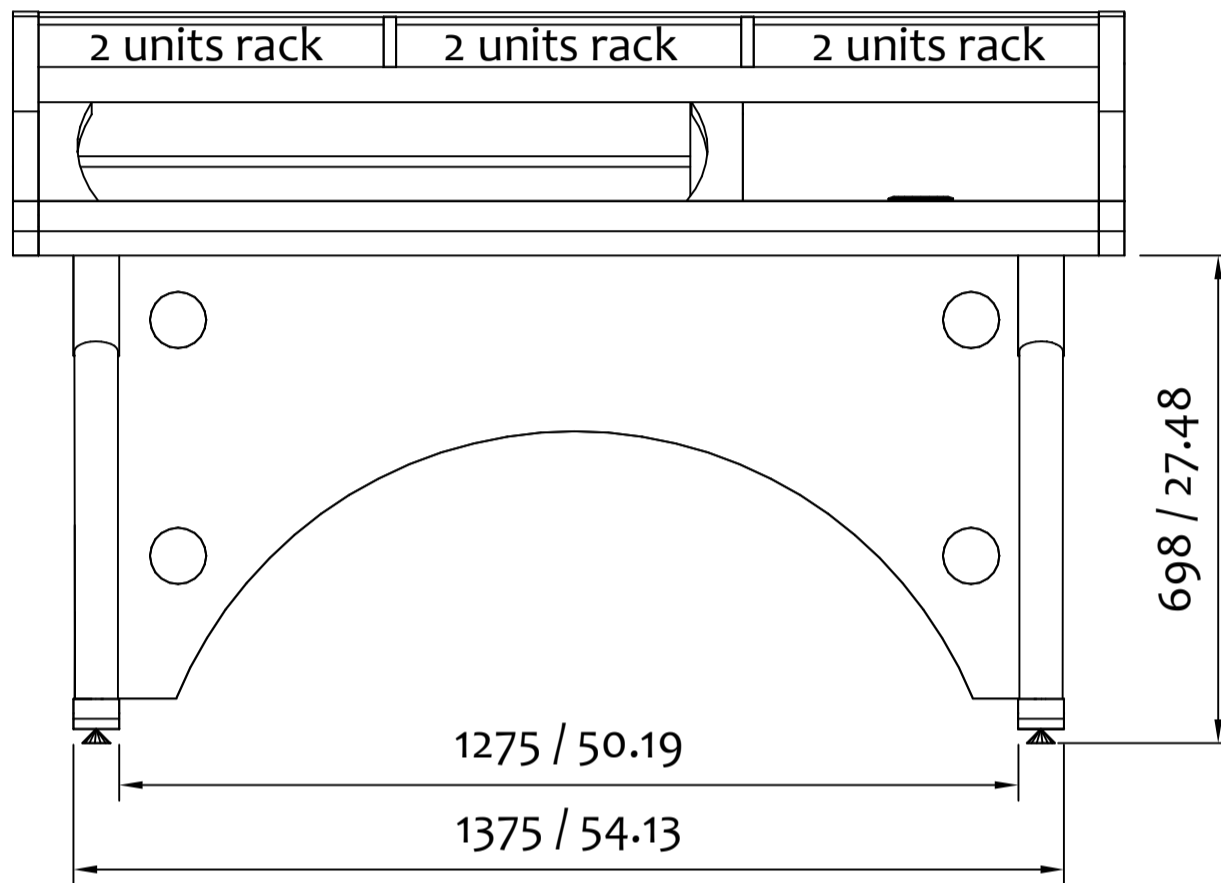


TOP VIEW

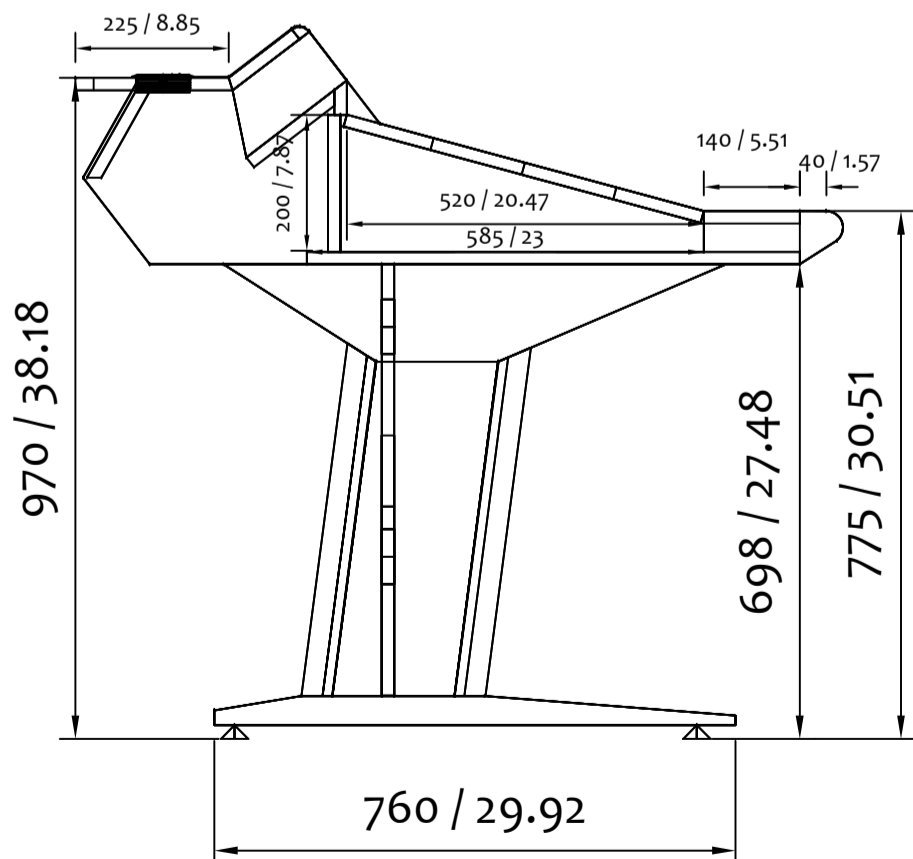


Technical Plan

TOP VIEW



SIDE VIEW



SIDE VIEW

