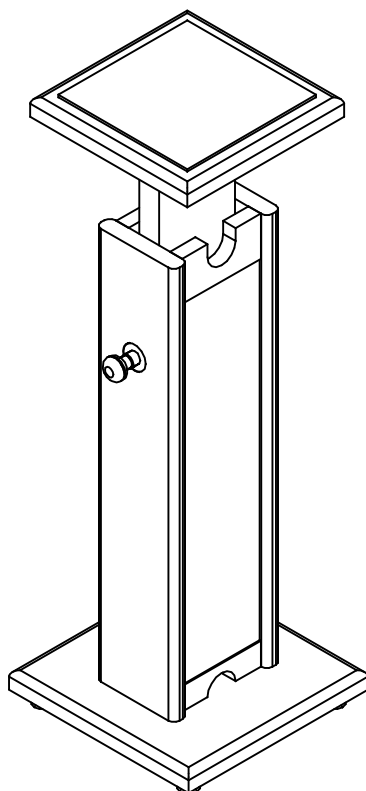


# Zaor<sup>®</sup>

**BUDGET CUSTOM DESIGN**



## Monitor Stand Assembly Manual

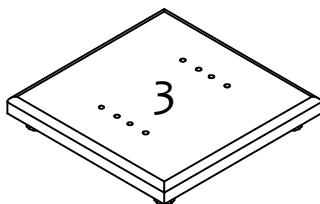
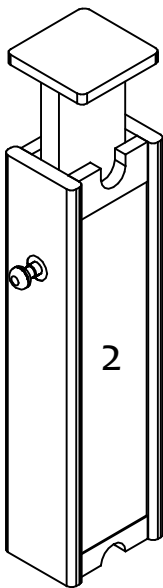
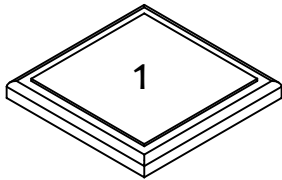
### Assembly Manual

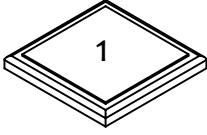
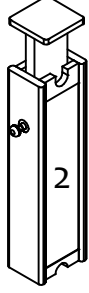
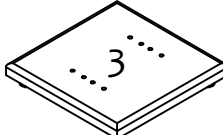
Thank you for choosing a piece of Zaor studio furniture, which will hopefully make your life easier, more ergonomic and improve the looks of your workspace.

Before you can enjoy the comfort of your new acquisition you need to assemble it.

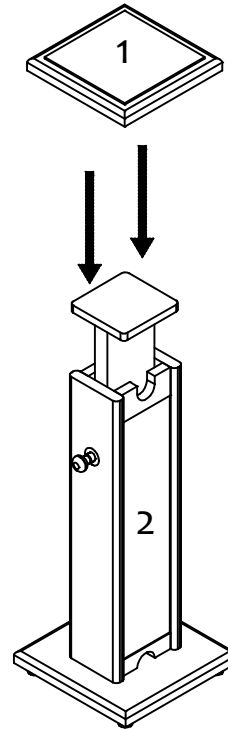
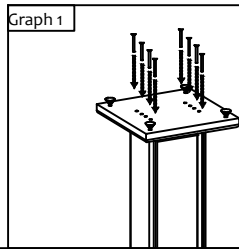
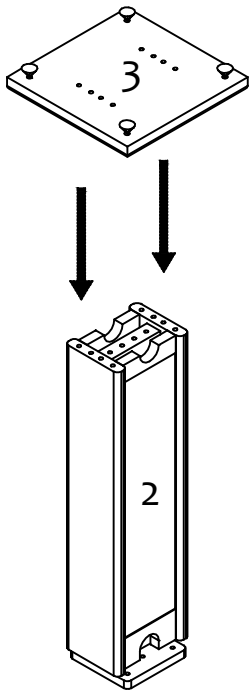
We have tried to give you as much detail as needed and as little as possible.

Should you run into any difficulty with this assembly you can get in touch with us via [sales@zaorstudiofurniture.com](mailto:sales@zaorstudiofurniture.com) to set up a Skype session or phone call.



<p>Part n°1 Speaker support</p> 	<p>Part n°2 Center stem</p> 
<p>Part n°3 Base plate</p> 	

### Assembly Manual



**Step 1**  
Turning the center stem #2 upside down fix the base plate # 3 onto the stem using the M 6x40 screws as shown in graph 1.

**Step 2**  
put the Monitor Stand upright and using M 6x30 screws fix part #1 onto the extractable center slide on part # 2.

**MATERIALS USED**  
- solid wood (ash or oak) and particle board  
- iron adjustment mechanism

**PACKING LIST**  
- 3 wooden parts  
- 8 screws M 6x40  
- 4 screws M 6 x 30

**INSTRUCTIONS FOR CLEANING**  
- use a humid cloth or special wood cleaner  
- avoid using abrasive cleaners

PRODUCT CAN BE ASSEMBLED BY ONE PERSON

- N° 4 viti M 6x30

#### Attention !!!

It is very important that, after finishing installation and setting up the desired height of the Monitor Stand, you fasten the mechanism by turning the knob clockwise without forcing. This will take several turns. When the knob sits tight against the base, your stand is secured. Now you can place your speaker or other device on top of the stand. To change height, please turn counter-clockwise several full 360° turns until you are able to retract the knob from the hole: **CAREFUL: Do not attempt to do this while your speaker(s) are sitting on top of the stand! Remove your speaker(s) from the stand to adjust height. When you have found your new height, make sure to turn the knob clockwise once again, to fasten it, like described above.**